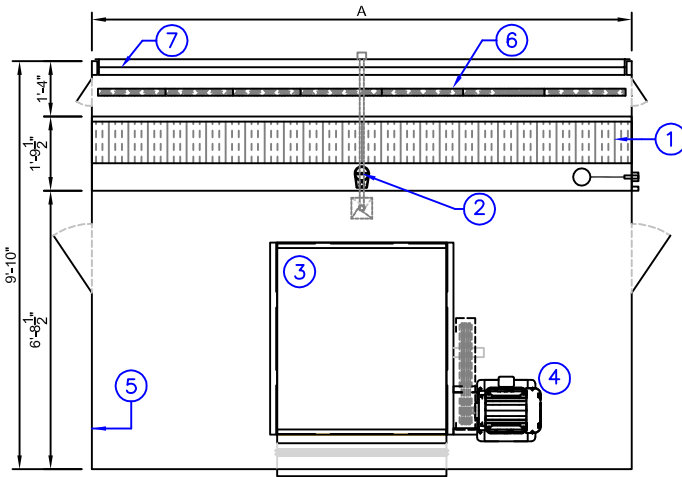


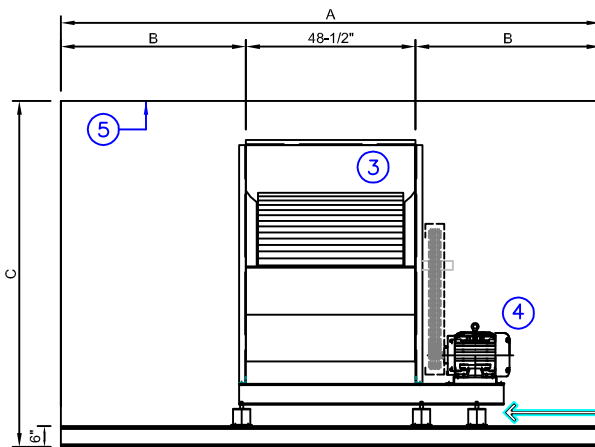
EVAPORATIVE COOLING SYSTEMS

INFINITY SERIES

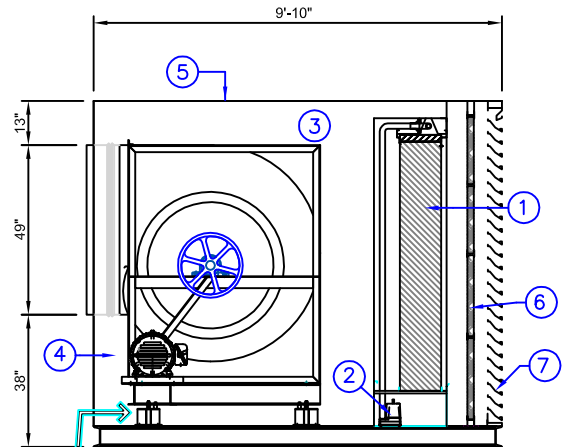
ISSU-14242-FCXX



INTERNAL PLAN VIEW



FRONT CROSS SECTION



SIDE CROSS SECTION

MODEL	Std. CFM	ISP"	ESP"	TSP"	BHP/HP	A	B	C
ISSU-14242FC-78	40,000	0.70	0.70	1.40	15.92 / 20	13'-0"	4'-5 ³ / ₄ "	8'-4"
ISSU-14242FC-84	42,500	0.70	0.70	1.40	18.10 / 20	14'-0"	4'-11 ³ / ₄ "	8'-4"
ISSU-14242FC-90	45,000	0.70	0.70	1.40	19.52 / 25	15'-0"	5'-5 ³ / ₄ "	8'-4"
ISSU-14242FC-90 A	45,000	0.70	0.70	1.40	19.52 / 25	11'-3"	3'-7 ¹ / ₄ "	10'-4"
ISSU-14242FC-96	48,000	0.70	0.70	1.40	21.94 / 25	16'-0"	5'-11 ³ / ₄ "	8'-4"
ISSU-14242FC-96 A	50,000	0.70	0.70	1.40	23.83 / 25	12'-0"	3'-11 ³ / ₄ "	10'-4"
ISSU-14242FC-96	50,000	0.70	0.70	1.40	23.83 / 25	16'-0"	5'-11 ³ / ₄ "	8'-4"
ISSU-14242FC-102	52,000	0.70	0.70	1.40	25.69 / 30	17'-0"	6'-5 ³ / ₄ "	8'-4"
ISSU-14242FC-104	52,000	0.70	0.70	1.40	25.69 / 30	13'-0"	4'-5 ³ / ₄ "	10'-4"
ISSU-14242FC-112	56,000	0.70	0.70	1.40	29.90 / 30	14'-0"	4'-11 ³ / ₄ "	10'-4"



BARNHART-TAYLOR, INC.
 AIR HANDLING AND
 EVAPORATIVE COOLING SYSTEMS
INFINITY SERIES
 EVAPORATIVE COOLERS

ISD SERIES UNITS-GENERAL LAYOUT

NOTES:

- 1- BLOWER CLASS I CLASS II NOT AVAILABLE.
- 2- CONTACT US FOR DIFFERENT EXTERNAL STATIC PRESSURE (ESP) FOR MOTOR SELECTIONS.
- 3- DRAWING NOT FOR CONSTRUCTION PURPOSES
- 4- BHP INCLUDES BELT LOSSES

ITEM	QTY	DESCRIPTION
1	1 set	EVAPORATIVE COOLING MEDIA MUNTRES CELDEK 12" THICK
2	1	CIRCULATION PUMPS: LITTLE GIANT WGP
3	1	SUPPLY FAN: ECONOCLIMAS FC (NOT AMCA CERTIFIED)
4	1	PREMIUM EFFICIENCY MOTOR 230V / 460V / 3ø / 60HZ TEFC
5	1	FAN CASING - GALVANNEAL SHEET METAL GAUGE 18
6	1	2" FILTERS - AAF PERFECT PLEAT HC - MERV 8
7	1	4" DEEP DRAINABLE BLADE LOUVERS - GALVANNEAL STEEL

DRAWING No:

IUS-10026

DATE: 05/13/2013