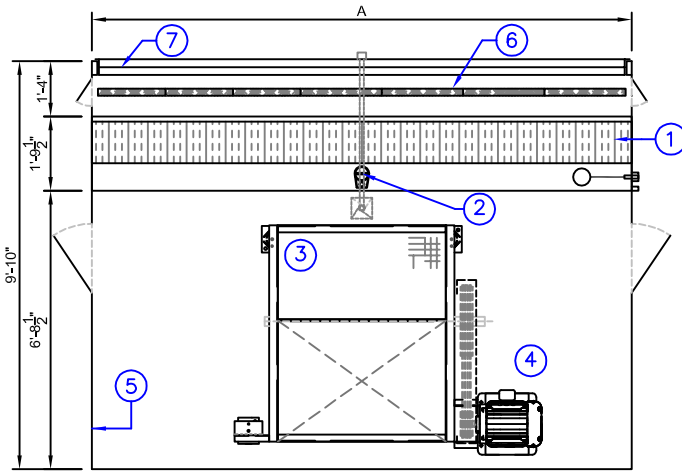


# EVAPORATIVE COOLING SYSTEMS

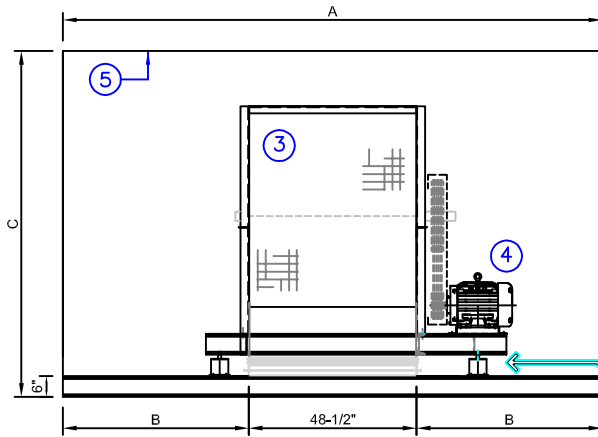
## INFINITY SERIES

### ISD-14242-FCXX

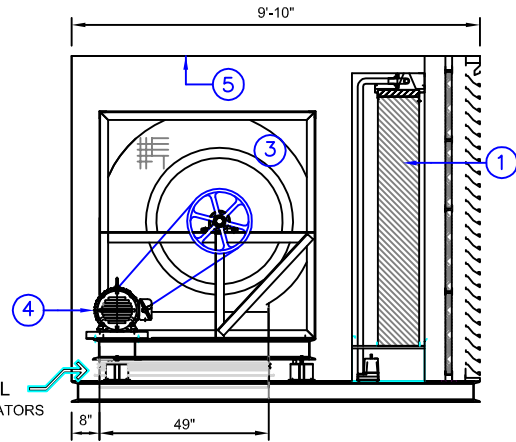
- ↑ Infinity Series
- ↑ Single Air Inlet
- ↑ Air discharge Down location
- ↑ No. of fans
- ↑ Wheel diameter
- ↑ Wheel width
- ↑ Fan type Forward Curb
- ↑ Media face area-Ft<sup>2</sup>



**INTERNAL PLAN VIEW**



**FRONT CROSS SECTION**



**SIDE CROSS SECTION**

MODEL	Std. CFM	ISP"	ESP"	TSP"	BHP/HP	A	B	C
ISD-14242FC-78	40,000	0.70	0.70	1.40	15.92 / 20	13'-0"	4'-5 <sup>3</sup> / <sub>4</sub> "	8'-4"
ISD-14242FC-84	42,500	0.70	0.70	1.40	18.10 / 20	14'-0"	4'-11 <sup>3</sup> / <sub>4</sub> "	8'-4"
ISD-14242FC-90	45,000	0.70	0.70	1.40	19.52 / 25	15'-0"	5'-5 <sup>3</sup> / <sub>4</sub> "	8'-4"
ISD-14242FC-90 A	45,000	0.70	0.70	1.40	19.52 / 25	11'-3"	3'-7 <sup>1</sup> / <sub>4</sub> "	10'-4"
ISD-14242FC-96	48,000	0.70	0.70	1.40	21.94 / 25	16'-0"	5'-11 <sup>3</sup> / <sub>4</sub> "	8'-4"
ISD-14242FC-96 A	50,000	0.70	0.70	1.40	23.83 / 25	12'-0"	3'-11 <sup>3</sup> / <sub>4</sub> "	10'-4"
ISD-14242FC-96	50,000	0.70	0.70	1.40	23.83 / 25	16'-0"	5'-11 <sup>3</sup> / <sub>4</sub> "	8'-4"
ISD-14242FC-102	52,000	0.70	0.70	1.40	25.69 / 30	17'-0"	6'-5 <sup>3</sup> / <sub>4</sub> "	8'-4"
ISD-14242FC-104	52,000	0.70	0.70	1.40	25.69 / 30	13'-0"	4'-5 <sup>3</sup> / <sub>4</sub> "	10'-4"
ISD-14242FC-112	56,000	0.70	0.70	1.40	29.90 / 30	14'-0"	4'-11 <sup>3</sup> / <sub>4</sub> "	10'-4"



**BARNHART-TAYLOR, INC.**  
 AIR HANDLING AND  
 EVAPORATIVE COOLING SYSTEMS  
**INFINITY SERIES**  
 EVAPORATIVE COOLERS

**ISD SERIES UNITS-GENERAL LAYOUT**

- NOTES:
- 1- BLOWER CLASS I CLASS II NOT AVAILABLE.
  - 2- CONTACT US FOR DIFFERENT EXTERNAL STATIC PRESSURE (ESP) FOR MOTOR SELECTIONS.
  - 3- DRAWING NOT FOR CONSTRUCTION PURPOSES
  - 4- BHP INCLUDES BELT LOSSES

ITEM	QTY	DESCRIPTION
1	1 set	EVAPORATIVE COOLING MEDIA MUNTERS CELDEK 12" THICK
2	1	CIRCULATION PUMPS: LITTLE GIANT WGP
3	1	SUPPLY FAN: ECONOCLIMAS FC (NOT AMCA CERTIFIED)
4	1	PREMIUM EFFICIENCY MOTOR 230V / 460V / 3ø / 60HZ TEFC
5	1	FAN CASING - GALVANNEAL SHEET METAL GAUGE 18
6	1	2" FILTERS - AAF PERFECT PLEAT HC - MERV 8
7	1	4" DEEP DRAINABLE BLADE LOUVERS - GALVANNEAL STEEL

DRAWING No:

**IUS-10023**

DATE: 03/14/2013